



QU-4M

v1.3 HDMI 1 to 4 Distribution
Amplifier with System Reset

OPERATION MANUAL





Table of Contents

1.	Introduction	1
2.	Features	1
3.	Operation Controls and Functions	2
3.1	Front Panel Diagram	2
3.2	Rear Panel Diagram	3
4.	Connection Diagram	4
5.	Specifications	4





1. Introduction

The Quantum HDMI v1.3 Distribution Amplifier Series is the most advanced solution to HDMI signal distribution. Each product in this series is compatible to HDMI v1.3 specifications, a cutting-age technology which defines the support to transfer Deep Color (10-bit and 12-bit) video and new lossless compressed (Dolby TrueHD, Dolby Digital Plus and DTS-HD Master Audio) digital audio, with a high bandwidth up to 225MHz (6.75Gbps). Besides splitting and distributing, the HDMI v1.3 DA series also does signal amplification and equalization, so as to provide high performance I/O of audio and video.

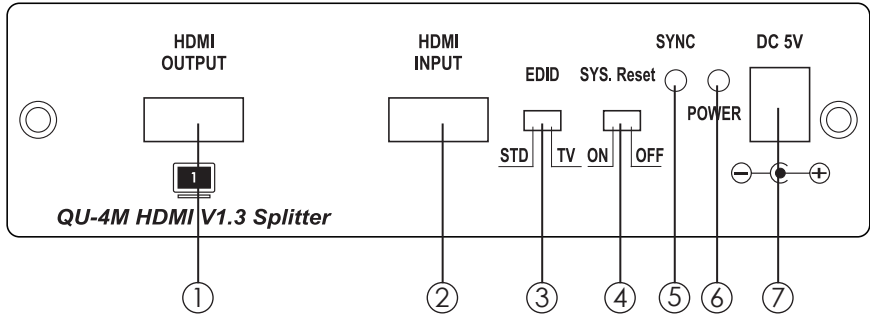
2. Features

- 3D Ready.
- HDMI 1.3, HDCP1.1 and DVI1.0 compliant Receiver.
- One HDMI source to connect up to four HDMI displays simultaneously.
- HDCP keysets allows each output to work independently when connecting to a HDMI display.
- Splits a HDMI source up to four outputs without signal loss.
- Supports DVI source and DVI display by using HDMI to/from DVI adaptor cable.
- Supports a wide range of PC and HDTV resolutions from VGA to UXGA and 480i to 1080p.
- High definition audio support: LPCM 7.1CH, Dolby TrueHD, Dolby Digital Plus and DTS-HD Master Audio transmission (32-192kHz Fs sample rate).
- HDMI cable distance test with 1080p/8bits resolution the, Input/Output source can run up to 15/15 meters. If 1080p/12bits the Input/Output source can run up to 10/15 meters.
- System reset function switch generates a command every 10 minutes to the connected display which resets them to the correct HDMI input.
- Support CEC bypass.
- Deep color video up to 12bit, 1080p@(24/60)Hz.
- Selectable EDID source from TV (downstream) or STD (fixed).



3. Operation Controls and Functions

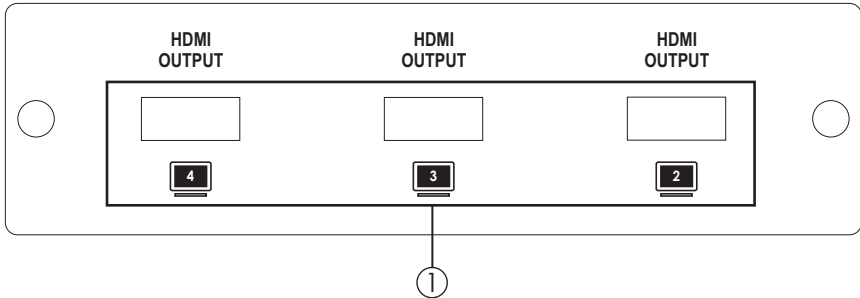
3.1 Front Panel



1. HDMI Output 1: Connect each of the output ports to the HDMI display.
2. Sync LED: The LED will illuminate when the HDMI source signal is connected to the input port.
3. HDMI Input: Connect input port to the HDMI or DVI output of your source equipment such as DVD player or set-top box.
4. Power LED Indicator: The LED will illuminate when the power is connected.
5. Power: Plug the 5V DC power supply into the splitter and connect the adaptor to AC wall outlet.



3.2 Rear Panel



1. EDID Control Switch: Default setting is TV (downstream). In this mode the QU-4M will search all output ports (starting at output 1) for the highest video/audio settings connected to each of the outputs. The detection priority of the matrix is v1.3 HDMI, v1.2 HDMI, DVI. Switch to STD (fixed EDID) if you have any issues with the default setting (TV). When switching to STD, please ensure that the unit is powered OFF, then ON again, for the setting to be made. By changing to STD, this will force the source to be configured as standard stereo (PCM) Audio and initiate a search for a common compatible video resolution.

Note: When in STD mode the deep color is suggest to switch to 8-bit for longer distant display.

2CH/Multi CH – Supports 2 channels or Multi audio channels audio function. This selection is only available when EDID is in STD mode.

Note: When Multi CH is selected TV/display must also supports Multi CH function otherwise, TV/display will have no audio output. Unless, HDMI output connect to Amp and then to TV/display.

8/12 bit – Supports 8 or 12 bit's deep color function. This selection is only available when EDID is in STD mode.

Note: When HDMI output has both 8-bit and 12-bit displays, to ensure all output will display, switch to 8-bit.

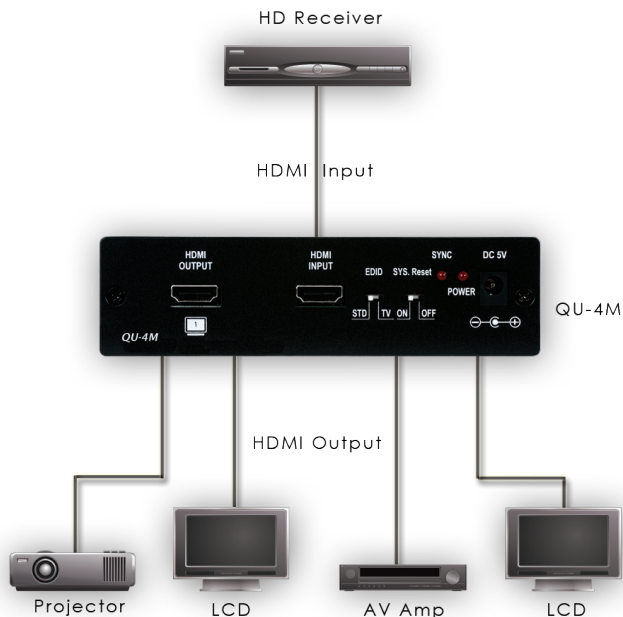
On the other hand, when all output are with the same bit's displayer of 12-bit or 8-bit then switch the function to 12-bit or 8-bit will be proper. The splitter will not function according to different bits' of display on HDMI outputs simultaneously

2. System reset function: It is suggested that this function is switched OFF, except when doing system reset. By switching this ON the system will reset TV to HDMI Input within 8~10 minutes. Switching to OFF means CEC bypass.

Note: The system reset function will only operate when the display has built-in CEC functionality.



4. Connection Diagram



6. Specifications

Input Port	1 x HDMI
Output Port	4 x HDMI
Weight	550g
Power Supply	5V DC/2.6A (US/EU standards, CE/FCC/UL Certified)
Dimensions	102(W) x 141(D) x 38(H)
Chassis Colour	Black
Chassis Material	Aluminium
Operating Temperature	Operating from 0°C ~ 40°C



Notes:



www.cypeurope.com

